



VIKING

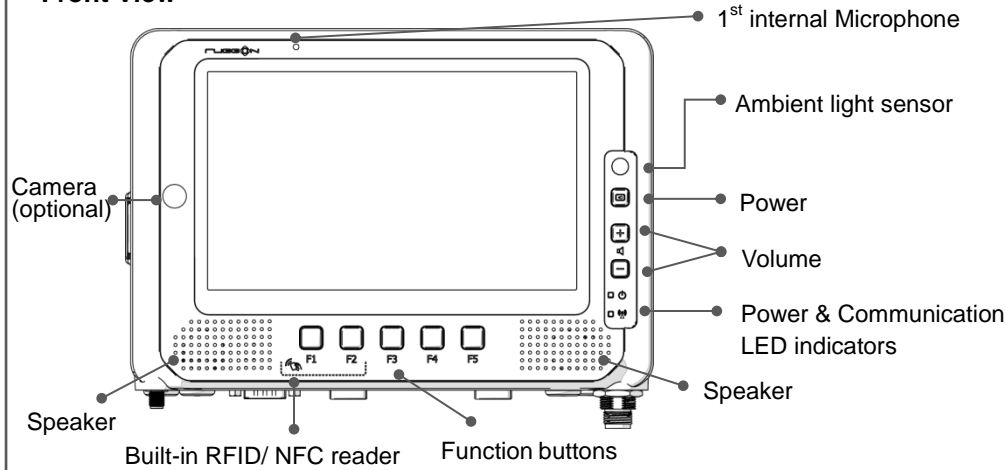
Mobile Data Terminal

Quick Start Guide



Product Introduction

Front View



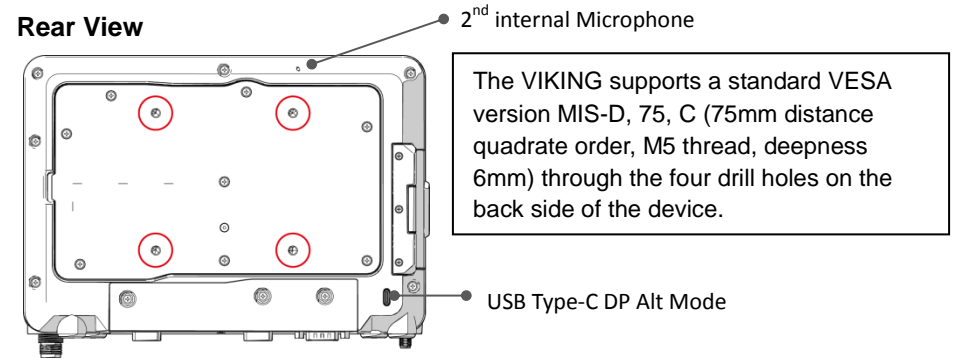
The LEDs on VIKING are status indicators that show the operating status of your system.

LED	Status	Description
Power	Blink Green	Power up
Power	Blink Yellow	Load boot loader
Power	Solid Green	System ready to use
Power	Blink Red	Vehicle battery abnormal
Communication	Solid Green	WWAN enabled

Please note power management, I/O configuration, and button settings can be configured in **Android Setting → System → Advanced**. No DashON support in VIKING.

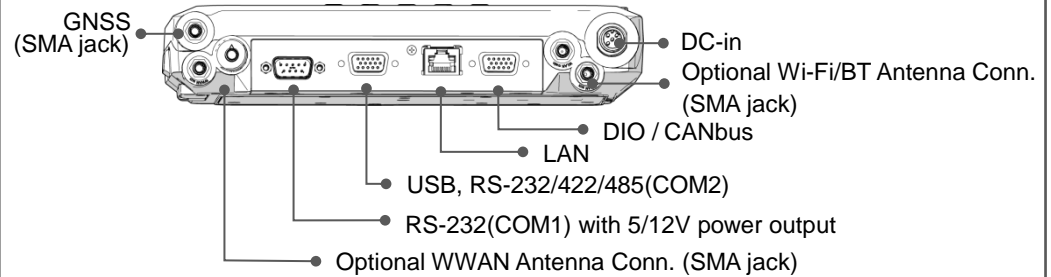
Product Introduction

Rear View

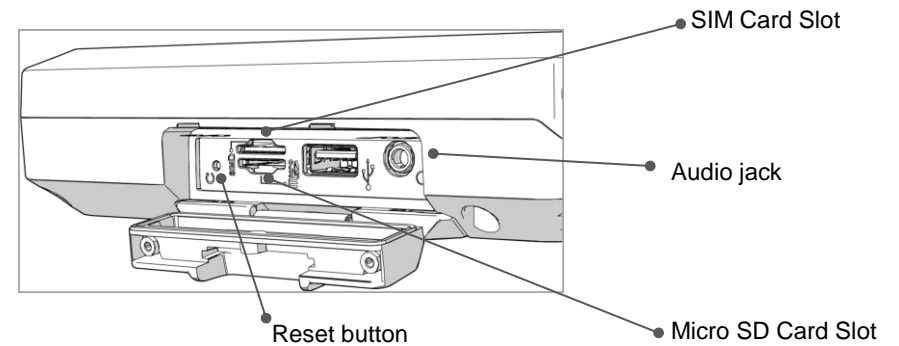


Notes: To prevent any damage or injury, make sure the mounting bracket is securely attached.

Bottom View




Side View




Powering the System

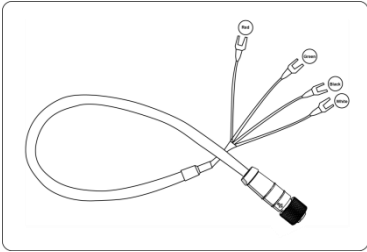
VIKING allows a wide range of DC power input from 9~36V via a 5-pin M12 A-code power cord. There are two options to start up the VIKING, either via car power cable or external power adapter.

 Fuses 10A are required in connecting the power cable and battery in series to avoid the risks of wire damage and vehicle burning. About the diagram of power wiring, please refer to the Powering the System section under Chapter 4 in VIKING's user manual.

Power source from car power cable

 Make sure that all power supplies are disconnected when you plug the power cord into the power connector.

1. The bare wire lead cable allows you to directly wire 12 V or 24 V car power supply.
2. Please follow the wire definition to connect to your power source.



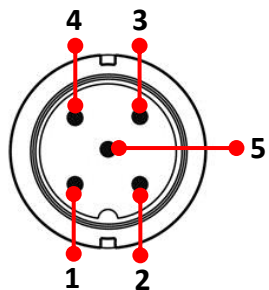
Wire Color	Description
RED	V+
BLACK	V-
GREEN	PE (Safety Ground)
WHITE	ACC/ Ignition

Power source from external power adapter

If your power source is from external power adapter, it means the power source isn't controlled by ACC/Ignition signal. Please short red (V+) and white (ACC/ Ignition) wires.

Connector Pin Assignments

Power Connector

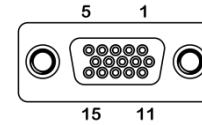


Pin	Description
1	DC+
2	DC+
3	GND
4	GND
5	ACC/ Ignition

Connector Pin Assignments

USB and RS-232/422/485 Port (COM2)

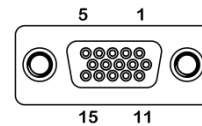
Pin	Description	Pin	Description
1	RS-422 TX+	9	USB 5V
2	RS-422 RX+	10	RS-232 RX
3	RS-485 TX+	11	GND
4	RS-232 TX	12	USB DP
5	GND	13	USB DM
6	RS-422 TX-	14	USB 5V
7	RS-422 RX-	15	NC
8	RS-485 TX-		



We provide Y-cable with DB15 male connector which is the RS-232/422/485 and USB converter. Please contact your local sales representative for ordering information.

DIO and CAN bus Port

Pin	Description	Pin	Description
1	CAN_H	9	N/A
2	N/A	10	N/A
3	N/A	11	SOS
4	ISO_GND	12	DIO_OUT1
5	N/A	13	DIO_IN1
6	CAN_L	14	DIO_IN2
7	N/A	15	DIO_OUT2
8	N/A		



We provide the DB15 male connector to multiple pins without termination cable. Please contact your local sales representative for ordering information.