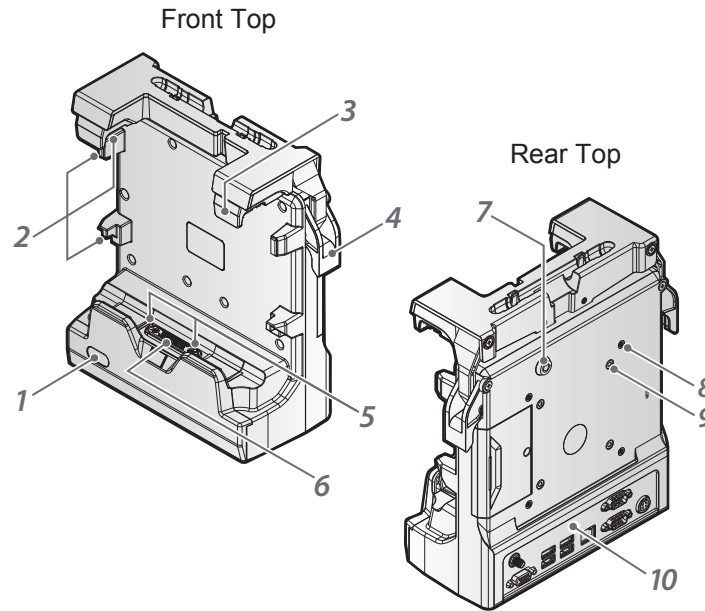


# VD05 DT05

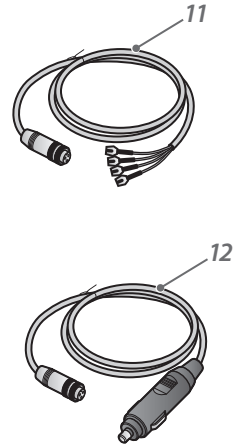
Quick Start Guide



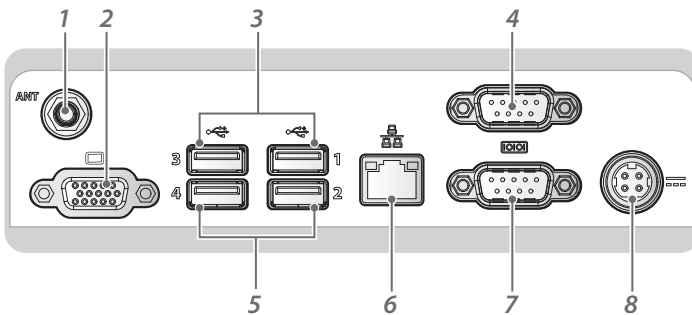
©2016 RuggON Corporation. All rights reserved.



- 1 Connection LED
- 2 Bumper
- 3 Latch tab
- 4 Locking latch
- 5 Locator pin x 2
- 6 Docking connector
- 7 Key lock slot
- 8 Mount holes (VESA 100 x 100mm) x 4
- 9 Mount holes (VESA 75 x 75mm) x 4
- 10 I/O ports
- 11 ACC lighter kit (provided with VD05-F-A)
- 12 Cigarette lighter kit (provided with VD05-F-C)

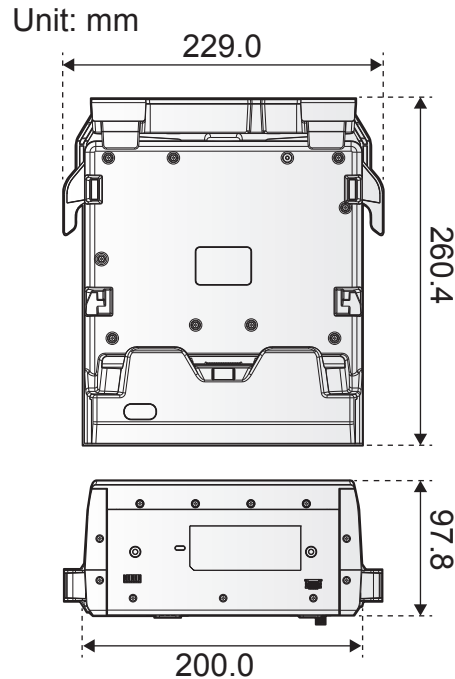


## VD05 I/O Ports



- 1 SMA antenna for GPS (optional)
- 2 VGA port
- 3 USB 2.0 Type-A x 2
- 4 RS-232
- 5 USB 2.0 Type-A x 2
- 6 RJ45
- 7 RS-232
- 8 DC-in jack

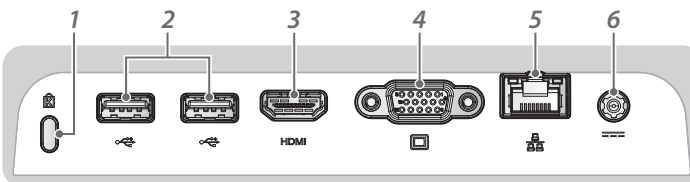
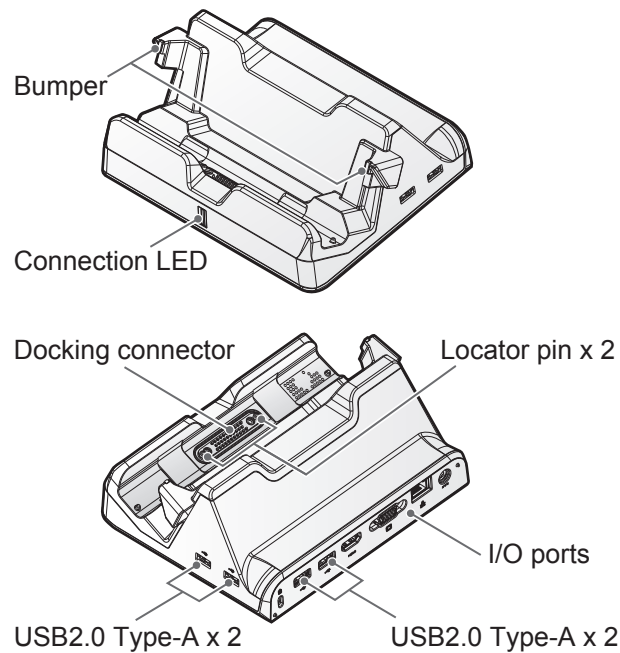
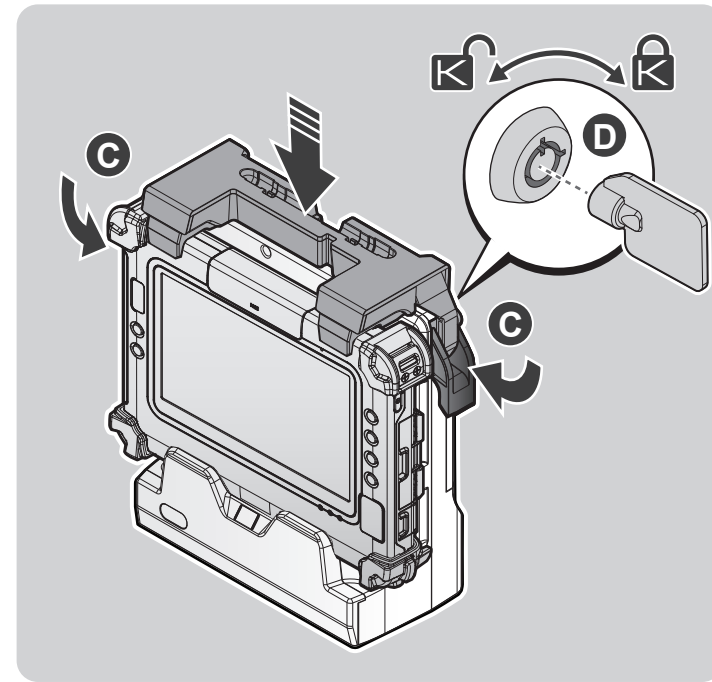
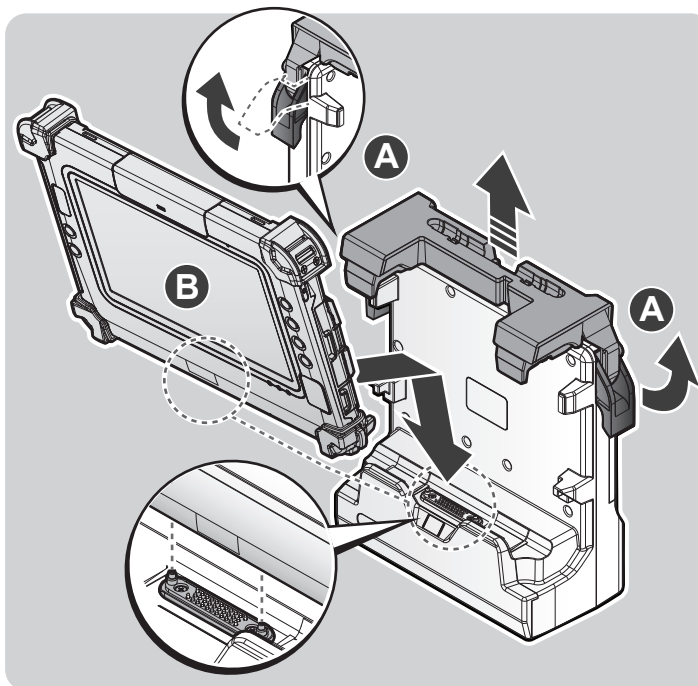
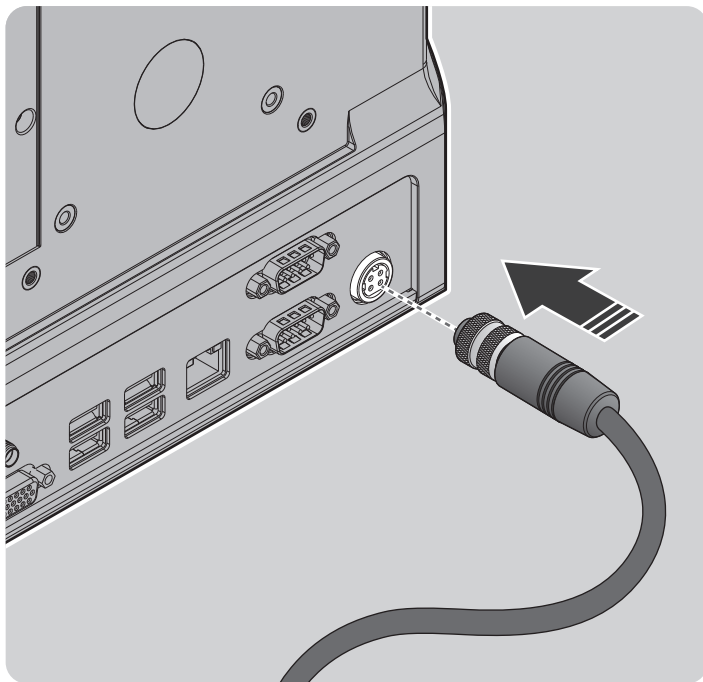
## VD05 Dimensions



## VD05 Specifications

	VD05-M	VD05-F-C	VD05-F-A
USB	×	USB 2.0 x 4	USB 2.0 x 4
RS-232	×	2	2
RJ45	×	1	1
VGA	×	1	1
SMA antenna	×	×	×
DC-in	×	1	1

Output Power	19VDC
Input Power	9VDC to 32VDC
LED	x 1 (Blue)
Operating Temperature	-20°C (-4°F) to 50°C (122°F)
Storage Temperature	-30°C (-22°F) to 80°C (176°F)



- 1 Kensington® lock
- 2 USB 2.0 Type-A x 2
- 3 HDMI port
- 4 VGA port
- 5 RJ45
- 6 DC-in jack

Output Power	19VDC
Input Power	19VDC
LED	x 1 (Blue)
Operating Temperature	0°C (32°F) to 50°C (122°F)
Storage Temperature	-30°C (-22°F) to 70°C (158°F)

