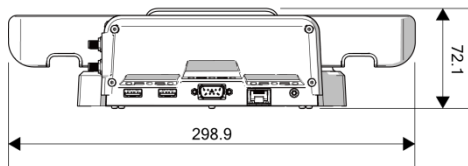
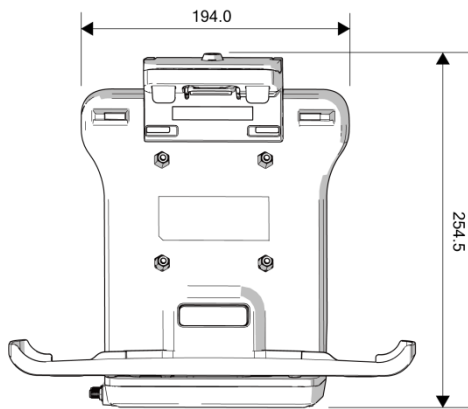


VD10

Quick Start Guide

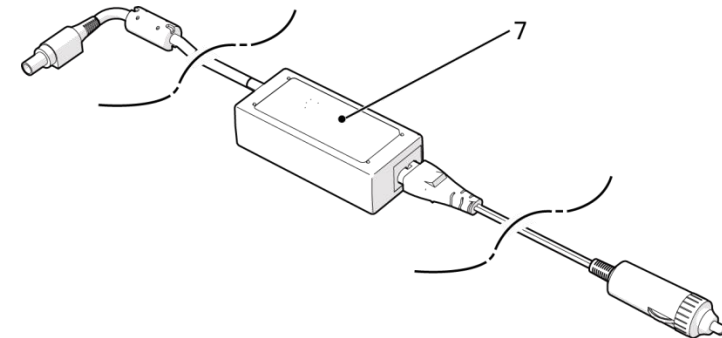
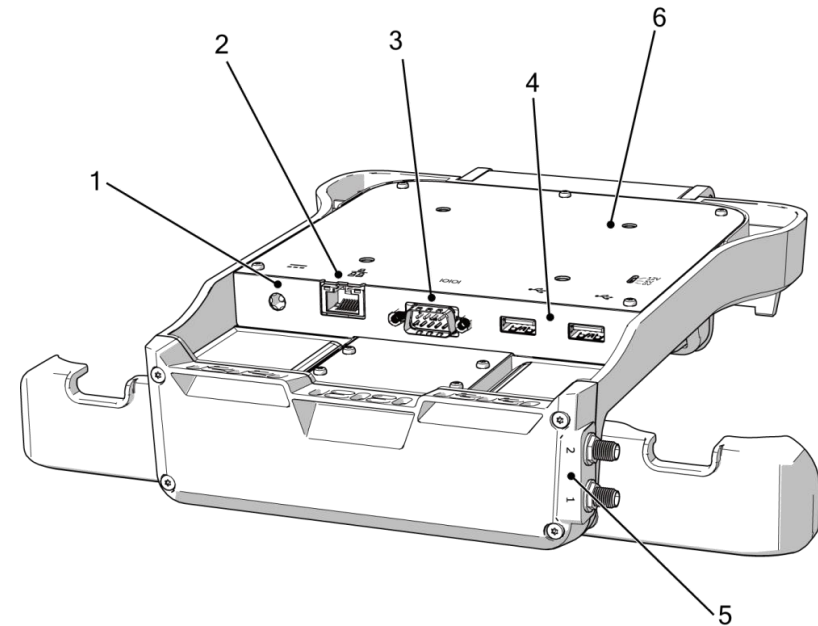


Dimension



Operating Conditions
Operating Temperature: -10°C ~ 50°C
Storage Temperature: -20°C ~ 70°C
Humidity: 5% ~ 90% (non-condensing)
Operating Vibration: MIL-STD-810G, Method 514.6, C2

Overview & I/O Port



- 1 DC-in Jack (19Vdc)
- 2 RJ45 Port
- 3 RS232 Port
- 4 USB Type-A X 2
- 5 RF Pass through 1 (GPS) & RF Pass through 2 (WLAN)
- 6 Mounting Holes X 4 (VESA 75)
- 7 Adaptor with cigarette lighter head